

INTEGRATED FORK POSITIONER WITH SIDESHIFT

Capacity: 6 000 – 8 000 kg

Width: 1 400 – 2 500 mm



RELIABLE OPERATION AND MAXIMUM VISIBILITY

FEATURES

- Built for heavy loads
- Suitable for very dirty environments
- Protected piping
- Maximum visibility for the driver



The F-series is constructed for tough environments with very high demands on the positioners. The forks are roller-mounted using 6 rollers on each fork (4 up and 2 down). The attachment sideshifts easily and smoothly even with heavy loads. The visibility for the driver is outstanding, making work safe and secure.

ADAPTIONS

Adapt the attachment with forks of desired length or with hydraulic functions like reach forks or lift-drop forks. Add cameras and sensors for increased functionality, safety, and efficiency. CarrierPlates and CarryAll™ increase the versatility of the attachment's usage. Load backrest and load protector can be added as options or retrofitted.

MACHINES



Forklift truck



Telescopic loader

APPLICATIONS



Heavy loads

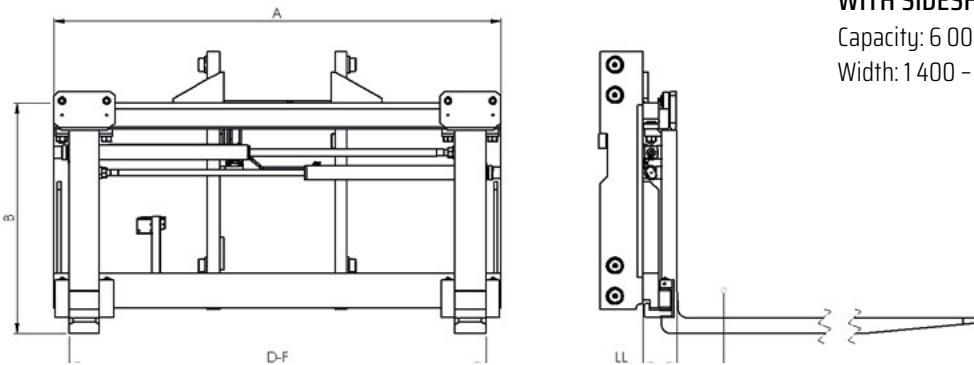


Dirty environments

INTEGRATED FORK POSITIONER WITH SIDESHIFT

Capacity: 6 000 – 8 000 kg

Width: 1 400 – 2 500 mm



Model	Capacity / Load center Q / LC kg / mm	Width A mm	Forks WxTxL mm	Öppnings- mått mm	COG mm	LL mm	Weight kg	Height B mm	Mounting Class ISO 2328
F4-60									
F4-60/1300	6000/600	1300	130x60x1200	450-1200	170	146	570	776/827	3A/4A
F4-60/1400		1400		450-1300	167		580		
F4-60/1450		1450		450-1350	165		585		
F4-60/1500		1500		450-1400	160		590		
F4-60/1550		1550		450-1450	157		595		
F4-60/1600		1600		450-1500	155		600		
F4-60/1700		1700		450-1600	150		610		
F4-60/1800		1800		450-1700	145		620		
F4-60/1900		1900		450-1800	140		630		
F4-60/2000		2000		450-1900	135		640		
F4-80									
F4-80/1800	8000/600	1800	150x65x1200	450-1650	125	160	955	952	4A
F4-80/1900		1900		450-1750	120		975		
F4-80/2000		2000		450-1850	115		995		
F4-80/2100		2100		450-1950	110		1015		
F4-80/2200		2200		450-2050	105		1035		
F4-80/2300		2300		450-2150	100		1055		
F4-80/2400		2400		450-2250	95		1075		
F4-120									
F4-120/1800	8000/900	1800	150x75x1200	470-1650	170	165	1100	1140	4A
F4-120/1900		1900		470-1750	200		1150		
F4-120/2000		2000		470-1850	230		1200		
F4-120/2100		2100		470-1950	260		1250		
F4-120/2200		2200		470-2050	290		1300		
F4-120/2300		2300		470-2150	320		1350		
F4-120/2400		2400		470-2250	350		1400		
F4-120/2500		2500		470-2350	380		1450		
F4-140									
F4-140/1800	8000/1100	1800	200x70x1200	540-1700	220	185	1300	1160	4A
F4-140/1900		1900		540-1800	250		1350		
F4-140/2000		2000		540-1900	280		1400		
F4-140/2100		2100		540-2000	310		1450		
F4-140/2200		2200		540-2100	340		1500		
F4-140/2300		2300		540-2200	370		1550		
F4-140/2400		2400		540-2300	400		1600		
F4-140/2500		2500		540-2400	430		1650		