

INTEGRATED FORK POSITIONER WITH SIDESHIFT

Capacity: 1 600 – 8 000 kg

Width: 990 – 2 200 mm



EXCELLENT IN DIRTY ENVIRONMENTS

FEATURES

- Suitable for dirty environments
- Precise positioning of the forks
- Silent operation
- Good visibility for the driver



With the E-series you get a Pin-type unit. This means that the forks hang on a pin in the unit. With encapsulated, high-quality bearings, it is especially suitable for dirty environments and allows sideshifting with full load. The design also offers high performance in terms of precise movements and quiet operation.

E-series - The E-series is an integrated attachment for forklift trucks and telescopic handlers. The capacities range from 1 600 - 8 000 kg.

E-series Marine - The E-series Marine is reinforced with modifications to withstand the corrosive effects of salt water. All sensitive parts have been upgraded to overcome continuous exposure to salt water.

ADAPTIONS

Adapt the attachment with forks of desired length or with hydraulic functions like reach forks or lift-drop forks. Add cameras and sensors for increased functionality, safety, and efficiency. CarrierPlates and CarryAll™ increase the versatility of the attachment's usage. Load backrest and load protector can be added as options or retrofitted.

MACHINES



Forklift truck



Reach truck

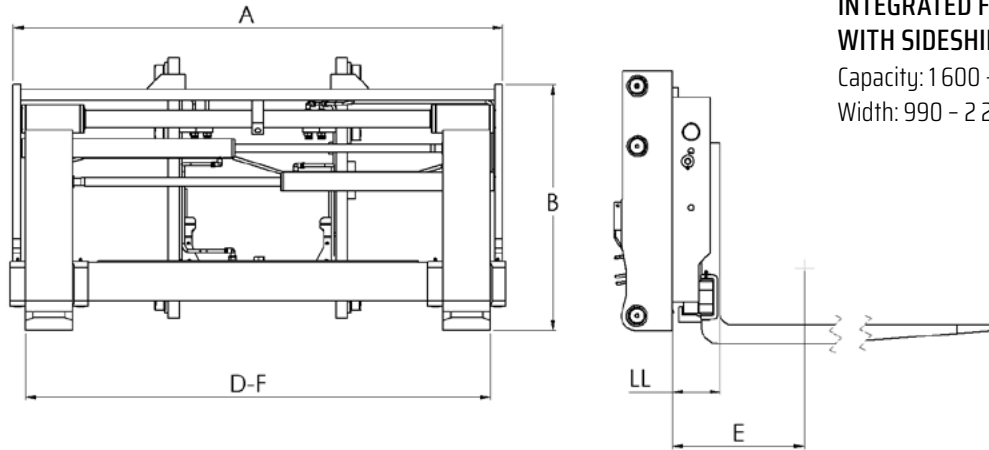


Telescopic handler

APPLICATIONS



Dirty environments

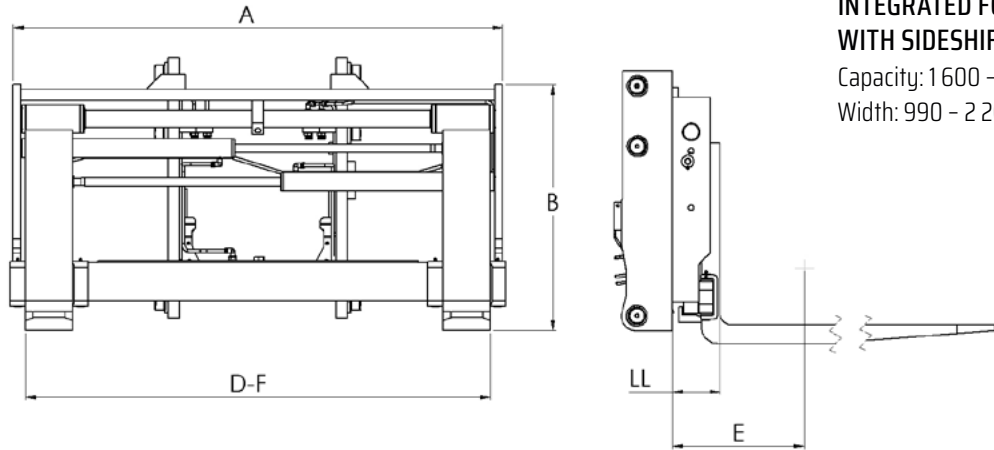


INTEGRATED FORK POSITIONER WITH SIDESHIFT

Capacity: 1 600 – 8 000 kg

Width: 990 – 2 200 mm

Model	Capacity / Load center Q / LC kg / mm	Width A mm	Forks WxTxL	Opening range mm	Sideshift mm (±)	COG mm	LL mm	Weight kg	Height mm	Mounting class ISO 2328
E2-20										
E2-20/900	1600/600 2000/500	990	100x40x1200	330-930	150	220	96	209	595	2A/B
E2-20/1000		1000		330-940	152,5	219		210		
E2-20/1050		1050		330-990	165	217		213		
E2-20/1100		1100		330-1040	177,5	215		216		
E2-20/1150		1150		330-1090	190	213		219		
E2-20/1200		1200		330-1140	202,5	211		222		
E2-25										
E2-25/990	2000/600 2500/500	990	100x40x1200	330-930	150	174,5	96	231	605	2A/B
E2-25/1000		1000		330-940	152,5	174		232		
E2-25/1050		1050		330-990	165	172		236		
E2-25/1100		1100		330-1040	177,5	170		240		
E2-25/1150		1150		330-1090	190	168		244		
E2-25/1200		1200		330-1140	202,5	166		248		
E2-25/1250		1250		330-1190	225	164		252		
E2-25/1300		1300		330-1240	237,5	162		256		
E2-25/1350		1350		330-1290	250	160		260		
E2-25/1400		1400		330-1340	262,5	158		264		
E2-25/1450		1450		330-1390	275	156		268		
E2-25/1500		1500		330-1440	287,5	154		272		
E2-25/1600		1600		330-1540	312,5	150		280		
E3-30										
E3-30/1100	2500/600 3000/500	1100	120x40x1200	340-1030	172,5	220	117	300	640	2A/B
E3-30/1150		1150		340-1080	185	218		305		
E3-30/1200		1200		340-1130	197,5	216		310		
E3-30/1250		1250		340-1180	210	214		315		3A/B
E3-30/1300		1300		340-1230	222,5	212		320		
E3-30/1350		1350		340-1280	235	210		325		
E3-30/1400		1400		340-1330	247,5	208		330		

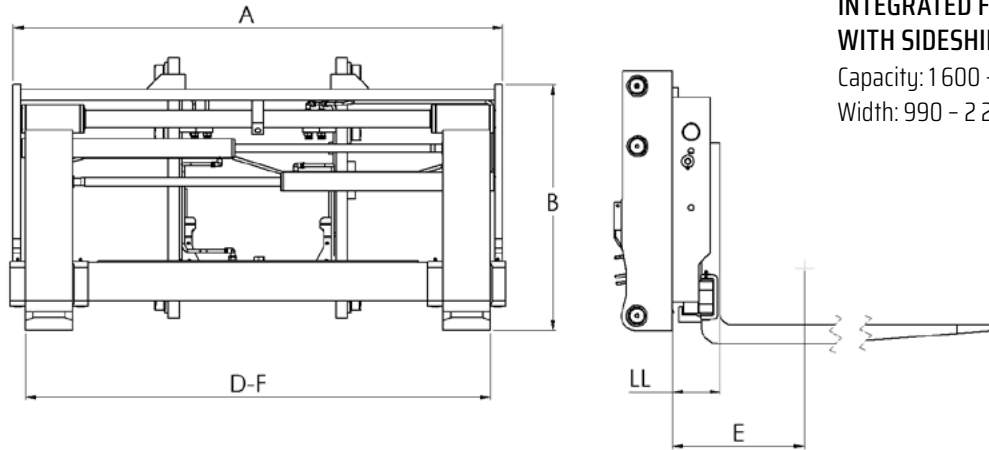


INTEGRATED FORK POSITIONER WITH SIDESHIFT

Capacity: 1 600 – 8 000 kg

Width: 990 – 2 200 mm

Model	Capacity / Load center	Width A mm	Forks WxTxL	Opening range mm	Sideshift mm (±)	COG mm	LL mm	Weight kg	Height mm	Mounting class ISO 2328
	Q / LC kg / mm									
E3-35										
E3-35/1100	3000/600 3500/500	1100	125x45x1200	340-1030	172,5	200	122	325	790	3A/B
E3-35/1150		1150		340-1080	185	198		330		
E3-35/1200		1200		340-1130	197,5	196		335		
E3-35/1250		1250		340-1180	210	194		340		
E3-35/1300		1300		340-1230	222,5	192		345		
E3-35/1350		1350		340-1280	235	190		350		
E3-35/1400		1400		340-1330	247,5	188		355		
E3-35/1450		1450		340-1380	260	186		360		
E3-35/1500		1500		340-1430	272,5	184		365		
E3-35/1600		1600		340-1530	297,5	180		375		
E4-50										
E4-50/1200	4000/600 5000/500	1200	125x50x1200	450-1100	162,5	175	125	480	790	3A/B
E4-50/1250		1250		450-1150	175	172,5		490		
E4-50/1300		1300		450-1200	187,5	170		500		
E4-50/1350		1350		450-1250	200	167,5		510		
E4-50/1400		1400		450-1300	212,5	165		520		
E4-50/1450		1450		450-1350	225	162,5		530		
E4-50/1500		1500		450-1400	237,5	160		540		
E4-50/1550		1550		450-1450	250	157,5		550		
E4-50/1600		1600		450-1500	262,5	155		560		
E4-50/1700		1700		450-1600	287,5	150		580		
E4-50/1800	1800	450-1700	312,5	145	600					
E4-50/1900	1900	450-1800	227,5	140	620					
E4-50/2000	2000	450-1900	362,5	135	640					
E4-50E										
E4-50E/1400	4500/600 5000/600	1400	130x60x1200	450-1300	212,5	165	135	550	849	3A/B
E4-50E/1450		1450		450-1350	225	162,5		560		
E4-50E/1500		1500		450-1400	237,5	160		570		
E4-50E/1550		1550		450-1450	250	157,5		580		
E4-50E/1600		1600		450-1500	262,5	155		590		
E4-50E/1700		1700		450-1600	287,5	150		610		
E4-50E/1800		1800		450-1700	312,5	145		630		
E4-50E/1900		1900		450-1800	227,5	140		650		
E4-50E/2000		2000		450-1900	362,5	135		670		
E4-50E/2100		2100		450-2000	387,5	130		690		
E4-50E/2200	2200	450-2100	412,5	125	710					



INTEGRATED FORK POSITIONER WITH SIDESHIFT

Capacity: 1 600 – 8 000 kg

Width: 990 – 2 200 mm

Model	Capacity / Load center Q / LC kg / mm	Width A mm	Forks WxTxL	Opening range mm	Sideshift mm (±)	COG mm	LL mm	Weight kg	Height mm	Mounting class ISO 2328
E4-60										
E4-60/1400	6000/600	1400	130x60x1200	450-1300	212,5	165	135	550	135	4A/B
E4-60/1450		1450		450-1350	225	162,5		560		
E4-60/1500		1500		450-1400	237,5	160		570		
E4-60/1550		1550		450-1450	250	157,5		580		
E4-60/1600		1600		450-1500	262,5	155		590		
E4-60/1700		1700		450-1600	287,5	150		610		
E4-60/1800		1800		450-1700	312,5	145		630		
E4-60/1900		1900		450-1800	337,5	140		650		
E4-70										
E4-70-1600	7000/600	1600	150x60x1200	450-1440	245	185	155	900	950	4A/B
E4-70-1700		1700		450-1540	270	180		925		
E4-70-1800		1800		450-1540	295	175		950		
E4-70-1900		1900		450-1740	320	170		975		
E4-70-2000		2000		450-1840	345	165		1000		
E4-70-2100		2100		450-1940	370	160		1025		
E4-70-2200		2200		450-2040	395	155		1050		
E4-80										
E4-80-1800	8000/600	1800	150x65x1200	450-1640	295	180	160	965	950	4A/B
E4-80-1900		1900		450-1740	320	175		990		
E4-80-2000		2000		450-1840	345	170		1015		
E4-80-2100		2100		450-1940	370	165		1040		
E4-80-2200		2200		450-2040	395	160		1065		
E4-80E										
E4-80E-1800	8000/900	1800	150x75x1200	450-1640	295	185	170	995	950	4A/B
E4-80E-1900		1900		450-1740	320	180		1020		
E4-80E-2000		2000		450-1840	345	175		1045		
E4-80E-2100		2100		450-1940	370	170		1070		
E4-80E-2200		2200		450-2040	395	165		1095		