

INTEGRATED FORK POSITIONER WITH SIDESHIFT

Capacity: 1 600 - 3 500 kg
Width: 990 - 1 600 mm



ESPECIALLY FOR CORROSIVE ENVIRONMENTS

FEATURES

- For fishing industry and ports
- Special material and coatings
- High-resistance sealings
- High performance
- Good visibility for the driver

This version of our E-series is modified to have an increased resistance to the corrosive effects of salt water. All sensitive parts have been upgraded to withstand continuous exposure to salt water.

There is a special chrome layer on the pin (bar), high-resistance encapsulation on the high-quality bearings, stainless steel support rollers and special screws sealed with marine silicone. Specialized salt water resistant paint is used for all painted parts such as the frame and the hydraulic pipes. Some parts are also galvanized before painting.

The attachment allows sideshifting with full load. The Pin-type model offers precise positioning and noiseless operation.

ADAPTIONS

Adapt the attachment with forks of desired length or with hydraulic functions like reach forks or lift-drop forks. Add cameras and sensors for increased functionality, safety, and efficiency. CarrierPlates and CarryAll™ increase the versatility of the attachment's usage. Load backrest and load protector can be added as options or retrofitted.



MACHINES



Forklift truck



Telescopic handler

APPLICATIONS



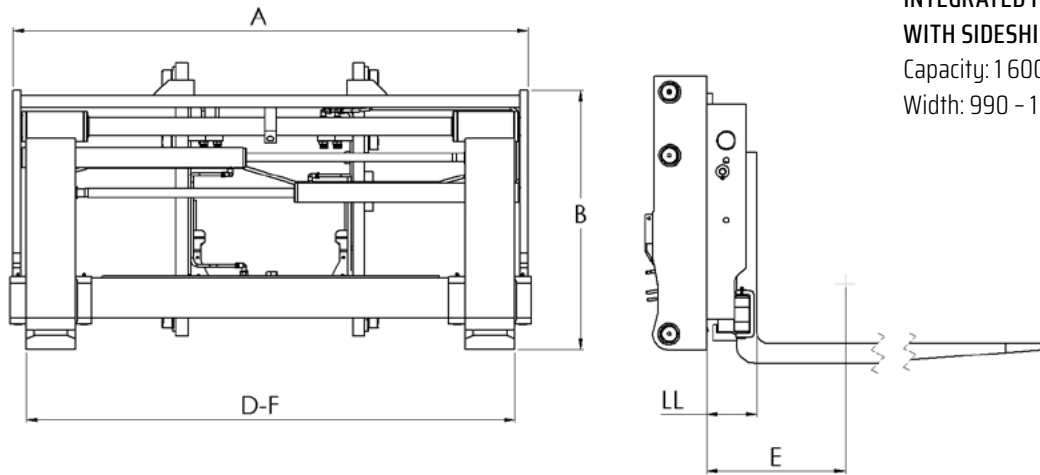
Fish industry



Port logistics

INTEGRATED FORK POSITIONER WITH SIDESHIFT

Capacity: 1 600 - 3 500 kg
Width: 990 - 1 600 mm



Model	Capacity / Load center	Width A mm	Forks WxTxL	Opening range mm	COG mm	LL mm	Weight kg	Height mm	Mounting class ISO 2328
	Q / LC kg / mm								
E2M-20									
E2M-20/990		990		330-840	221		207		2A/B
E2M-20/1000		1000		330-940	219		210		
E2M-20/1050	1600/600	1050	100x40x1200	330-990	217	96	213	595	
E2M-20/1100	2000/500	1100		330-1040	215		216		
E2M-20/1150		1150		330-1090	213		219		
E2M-20/1200		1200		330-1140	211		222		
E2M-25									
E2M-25/990		990		330-930	174,5		231		2A/B
E2M-25/1000		1000		330-940	174		232		
E2M-25/1050		1050		330-990	172		236		
E2M-25/1100		1100		330-1040	170		240		
E2M-25/1150		1150		330-1090	168		244		
E2M-25/1200	2000/600	1200	100x40x1200	330-1140	166	96	248	605	
E2M-25/1250		1250		330-1190	164		252		
E2M-25/1300	2500/500	1300		330-1240	162		256		
E2M-25/1350		1350		330-1290	160		260		
E2M-25/1400		1400		330-1340	158		264		
E2M-25/1450		1450		330-1390	156		268		
E2M-25/1500		1500		330-1440	154		272		
E2M-25/1600		1600		330-1540	150		280		
E3M-35									
E3M-35/1100		1100		340-1030	200		325		2A/B 3A/B
E3M-35/1150		1150		340-1080	198		330		
E3M-35/1200		1200		340-1130	196		335		
E3M-35/1250		1250		340-1180	194		340		
E3M-35/1300	3000/600	1300	125x45x1200	340-1230	192	122	345	640	
E3M-35/1350	3500/500	1350		340-1280	190		350		
E3M-35/1400		1400		340-1330	188		355		
E3M-35/1450		1450		340-1380	186		360		
E3M-35/1500		1500		340-1430	184		365		
E3M-35/1600		1600		340-1530	180		375		

OPTION

Hook-on version, other capacities and frame widths are offered upon request.