

INTEGRATED FORK POSITIONER WITH SIDESHIFT

Capacity: 6 000 – 8 000 kg

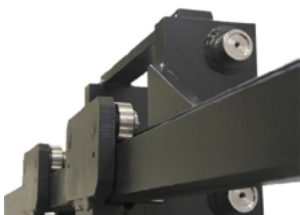
Width: 1 000 – 2 500 mm



FOR HEAVY LOADS AND MAXIMUM VISIBILITY

FEATURES

- Built for heavy loads
- Suitable for very dirty environments
- Protected piping
- Maximum visibility for the driver



The F-series is constructed for tough environments and where there are very high demands on unit. The forks are roller-mounted using 6 rollers on each fork (4 up and 2 down). The attachment sideshift easily and smoothly even with heavy loads. The visibility for the driver is outstanding, making work safe and secure.

OPTIONS

Load backrest can be added to the attachment. You can choose forks with other dimensions, other materials and coatings but also with other functions such as levelling forks, KOOI-reachforks® and SmartFork® with sensor technology. The attachment is also available with Carrier plats and QC6 quick-connect system.

MACHINES



Forklift Truck



Telescopic handler

APPLICATIONS



Heavy loads

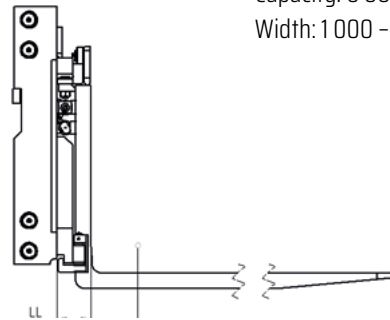
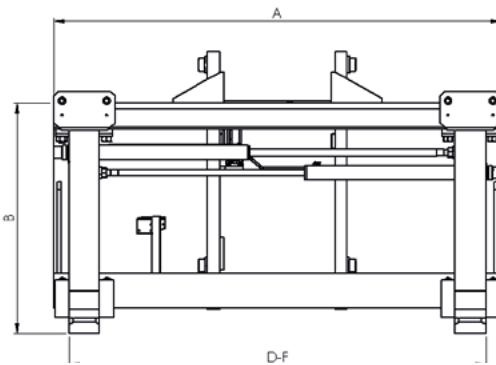


Dirty environments

INTEGRATED FORK POSITIONER WITH SIDESHIFT

Capacity: 6 000 – 8 000 kg

Width: 1 000 – 2 500 mm



Model type	Capacity / Load Centre	Frame Width	Opening Range	Forks	Centre of Gravity	Height	Weight	Effective Thickness	Mounting Class	
										Q / LC kg / mm
F4-60										
F4-60/1300	6000/600	1300	450-1200	130x60x1200	170	776/827	570	146	3A/4A	
F4-60/1400		1400	450-1300		167		580			
F4-60/1450		1450	450-1350		165		585			
F4-60/1500		1500	450-1400		160		590			
F4-60/1550		1550	450-1450		157		595			
F4-60/1600		1600	450-1500		155		600			
F4-60/1700		1700	450-1600		150		610			
F4-60/1800		1800	450-1700		145		620			
F4-60/1900		1900	450-1800		140		630			
F4-60/2000		2000	450-1900		135		640			
F4-80										
F4-80/1800	8000/600	1800	450-1650	150x65x1200	125	952	955	160	4A	
F4-80/1900		1900	450-1750		120		975			
F4-80/2000		2000	450-1850		115		995			
F4-80/2100		2100	450-1950		110		1015			
F4-80/2200		2200	450-2050		105		1035			
F4-80/2300		2300	450-2150		100		1055			
F4-80/2400		2400	450-2250		95		1075			
F4-120										
F4-120/1800	8000/900	1800	470-1650	150x75x1200	170	1140	1100	165	4A	
F4-120/1900		1900	470-1750		200		1150			
F4-120/2000		2000	470-1850		230		1200			
F4-120/2100		2100	470-1950		260		1250			
F4-120/2200		2200	470-2050		290		1300			
F4-120/2300		2300	470-2150		320		1350			
F4-120/2400		2400	470-2250		350		1400			
F4-120/2500		2500	470-2350		380		1450			
F4-140										
F4-140/1800	8000/1100	1800	540-1700	200x70x1200	220	1160	1300	185	4A	
F4-140/1900		1900	540-1800		250		1350			
F4-140/2000		2000	540-1900		280		1400			
F4-140/2100		2100	540-2000		310		1450			
F4-140/2200		2200	540-2100		340		1500			
F4-140/2300		2300	540-2200		370		1550			
F4-140/2400		2400	540-2300		400		1600			
F4-140/2500		2500	540-2400		430		1650			