

HEF

HOOK-ON FORK POSITIONER WITH SIDESHIFT

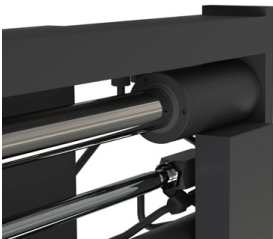
Capacity: 1 000 - 8 000 kg
Width: 1 000 - 2 400 mm



EXCELLENT IN DIRTY ENVIRONMENTS

FEATURES

- ISO mounting
- Forks included
- Precise forks positioning
- Silent operation
- Good visibility for the driver



The HEF-series is a Hook-on attachment, offering a quick and easy mounting. It has fork positioning, sideshifting and is equipped with standard length forks. ISO brackets on the back allows it to be mounted directly onto an existing fork carriage.

The attachment has encapsulated, high-quality bearings, it's especially suitable for dirty environments. The Pin-type model offers precise positioning and noiseless operation. The forks are equipped with support rollers that allows sideshifting with full load.

OPTIONS

Load backrest and load protector can be added to the attachment or retrofitted. You can choose forks with other dimensions, other materials and coatings but also with other functions such as leveling forks, reach forks, forks with camera and sensor technology (laser, scale, IR, etc.) and QC6 - Quick connect system.

MACHINES



Forklift Truck



Telescopic handler

APPLICATIONS

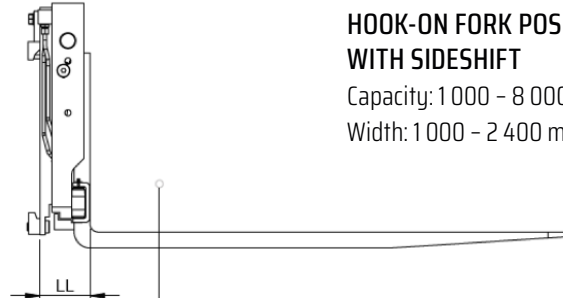
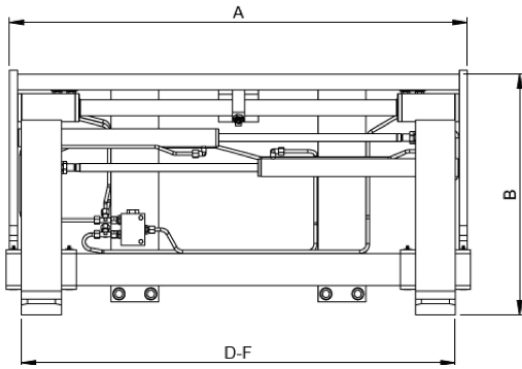


Dirty environments

HEF

HOOK-ON FORK POSITIONER WITH SIDESHIFT

Capacity: 1 000 – 8 000 kg
Width: 1 000 – 2 400 mm

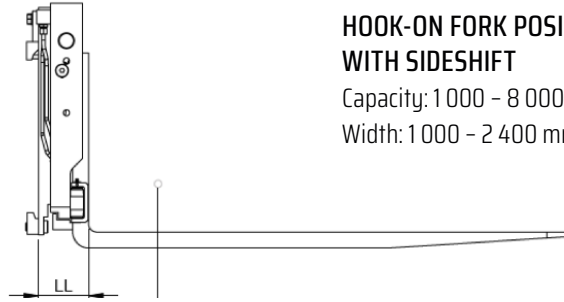
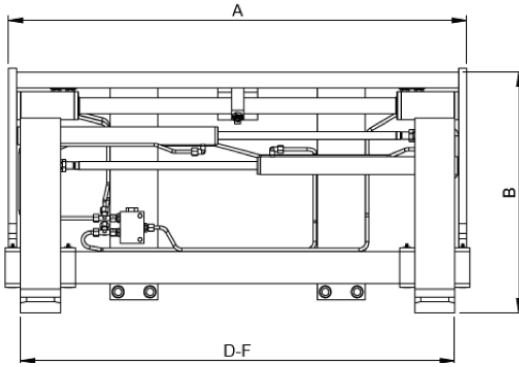


Model type	Capacity / Load Centre Q / LC kg / mm	Frame Width A mm	Opening Range D-F mm	Forks WxTxL mm	Centre of Gravity E [c.] mm	Height B mm	Weight kg	Effective Thickness LL mm	Mounting Class ISO 2328
HEF-20									
HEF20/100	2000/500	1000	330-940	100x40x200	219	595	210	126	2A/B
HEF20/105		1050	330-990		217		213		
HEF20/110		1100	330-1040		215		215		
HEF20/115		1150	330-1090		213		219		
HEF20/120		1200	330-1140		211		222		
HEF-25									
HEF-25/110	2500/500	1100	330-1040	100x40x200	170	605	240	126	2A/B
HEF-25/115		1150	330-1090		168		244		
HEF-25/120		1200	330-1140		166		248		
HEF-30									
HEC-30/110	3000/500	1100	370-1030	120x40x1200	220	640	300	146	3A/B
HEC-30/115		1150	370-1080		218		305		
HEC-30/120		1200	370-1130		216		310		
HEC-30/125		1250	370-1180		214		315		
HEC-30/130		1300	370-1230		212		320		
HEF-35									
HEF-35/110	3500/500	1100	380-1030	125x45x1200	200	640	325	151	3A/B
HEF-35/115		1150	380-1180		198		330		
HEF-35/120		1200	380-1130		196		335		
HEF-35/125		1250	380-1180		194		340		
HEF-35/130		1300	380-1230		192		345		
HEF-35/140		1400	380-1330		190		350		
HEF-40									
HEF-40/120	4000/500	1200	380-1130	125x45x1200	184	650	345	151	3A/B
HEF-40/130		1300	380-1230		182		355		
HEF-40/140		1400	380-1330		180		365		
HEF-40/145		1450	380-1380		179		370		
HEF-40/150		1500	380-1430		178		375		
HEF-40/160		1600	380-1530		176		385		
HEF-50									
HEF-50/120	5000/500	1200	450-1100	125x50x1200	175	790	480	160	3A/B
HEF-50/130		1300	450-1200		170		500		
HEF-50/140		1400	450-1300		165		520		
HEF-50/145		1450	450-1350		163		530		
HEF-50/150		1500	450-1400		160		540		
HEF-50/160		1600	450-1500		155		560		
HEF-50/170		1700	450-1600		150		580		
HEF-50/175		1750	450-1650		147		590		

HEF

HOOK-ON FORK POSITIONER WITH SIDESHIFT

Capacity: 1 000 - 8 000 kg
Width: 1 000 - 2 400 mm

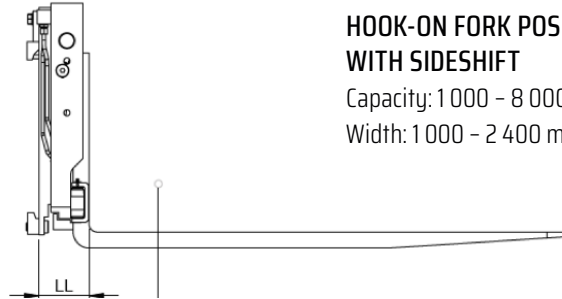
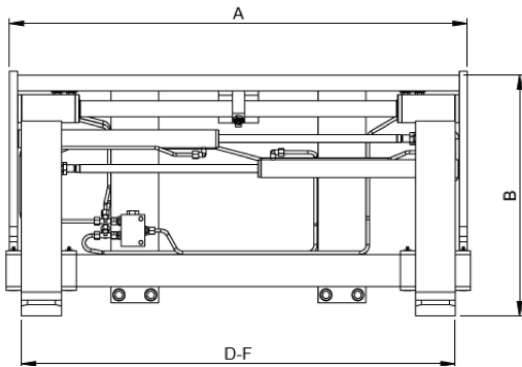


Model type	Capacity / Load Centre Q / LC kg / mm	Frame Width A mm	Opening Range D-F mm	Forks WxTxL mm	Centre of Gravity E [c.] mm	Height B mm	Weight kg	Effective Thickness LL mm	Mounting Class ISO 2328
HEF-50									
HEF50/180	5000/500	1800	450-1700	125x50x1200	145	790	600	160	3A/B
HEF50/190		1900	450-1800		140		620		
HEF50/200		2000	450-1900		153		640		
HEF-50E									
HEF50E/140	5000/500	1400	450-1300	130x60x1200	165	849	550	170	3A/B, 4A/B
HEF50E/145		1450	450-1350		163		560		
HEF50E/150		1500	450-1400		160		570		
HEF50E/160		1600	450-1500		155		590		
HEF50E/170		1700	450-1600		150		610		
HEF50E/175		1750	450-1650		147		620		
HEF50E/180		1800	450-1700		145		630		
HEF50E/190		1900	450-1800		140		650		
HEF50E/200		2000	450-1900		135		670		
HEF-60									
HEF60/140	6000/600	1400	450-1300	130x60x1200	165	849	550	170	4A/B
HEF60/145		1450	450-1350		163		560		
HEF60/150		1500	450-1400		160		570		
HEF60/160		1600	450-1500		155		590		
HEF60/170		1700	450-1600		150		610		
HEF60/180		1800	450-1700		145		630		
HEF60/190		1900	450-1800		140		650		
HEF60/200		2000	450-1900		135		670		
HEF-70									
HEF70/180	7000/600	1800	450-1640	150x60x1200	175	950	950	195	4A/B
HEF70/190		1900	450-1740		170		975		
HEF70/200		2000	450-1840		165		1000		
HEF70/210		2100	450-1940		160		1025		
HEF70/220		2200	450-2040		155		1050		
HEF70/230		2300	450-2140		150		1075		
HEF70/240		2400	450-2240		145		1100		
HEF-80									
HEF80/180	8000/600	1800	450-1640	150x65x1200	180	950	965	200	4A/B
HEF80/190		1900	450-1740		175		990		
HEF80/200		2000	450-1840		170		1015		
HEF80/210		2100	450-1940		165		1040		
HEF80/220		2200	450-2040		160		1065		
HEF80/230		2300	450-2140		155		1090		
HEF80/240		2400	450-2240		150		1115		

HEF

HOOK-ON FORK POSITIONER WITH SIDESHIFT

Capacity: 1 000 – 8 000 kg
Width: 1 000 – 2 400 mm



Model type	Capacity / Load Centre Q / LC kg / mm	Frame Width A mm	Opening Range D-F mm	Forks WxTxL mm	Centre of Gravity E [c.] mm	Height B mm	Weight kg	Effective Thickness LL mm	Mounting Class ISO 2328
HEF-80E									
HEF80E/180	8000/900	1800	450-1640	150x70x1200	185	950	995	205	4A/B
HEC80E/190		1900	450-1740		180		1020		
HEC80E/200		2000	450-1840		175		1045		
HEC80E/210		2100	450-1940		170		1070		
HEC80E/220		2200	450-2040		165		1095		
HEC80E/230		2300	450-2140		160		1120		
HEC80E/240		2400	450-2240		155		1145		

NOTES

Use the HEF20-model also for lower capacity e.g., 1.0, 1.6 or 1.8 tons.

Alternative use: HEF30: 2500kg/LC 600mm, HEF35: 3000kg/LC 600mm, HEF40: 3500kg/LC 600mm, HEF50: 4000kg/LC 600mm, HEF50E: 4500kg/LC 600mm.

OPTIONS

Other frame widths are offered on request.