

HEC

HOOK-ON FORK POSITIONER WITH SIDESHIFT

Capacity: 1 000–8 000 kg
Width: 1000–2 400 mm

EXCELLENT IN DIRTY ENVIRONMENTS

FEATURES

- Standard ISO mounting
- Fork carriers
- Precise forks positioning
- Silent operation
- Good visibility for the driver



The HEC-series is a Hook-on attachment, offering a quick and easy mounting. It has both fork positioning and sidshefting, and is equipped with fork carriers that allows you to use standard ISO forks. ISO brackets on the back allows it to be mounted directly onto existing fork carriage.

The attachment has encapsulated, high-quality bearings, it's especially suitable for dirty environments. The Pin-type model offers precise positioning and noiseless operation. The fork carriers are equipped with support rollers that allows sidshefting with full load.

OPTIONS

Load backrest can be added to the attachment or retrofitted. It's possible to add forks in various dimensions, material and coatings but also with other functions such as leveling forks, reach forks, forks with camera and sensor technology (laser, scale, IR, etc.) and QC6 - Quick connect system.

MACHINES



Forklift Truck



Telescopic handler

APPLICATIONS

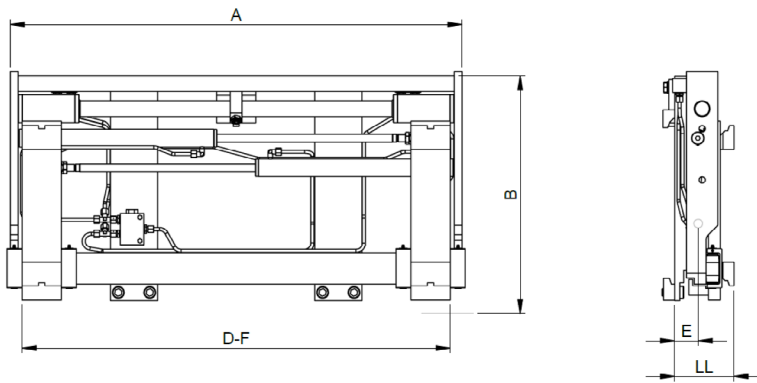


Dirty environments

HEC

HOOK-ON FORK POSITIONER WITH SIDESHIFT

Capacity: 1 000-8 000 kg
Width: 1000-2 400 mm

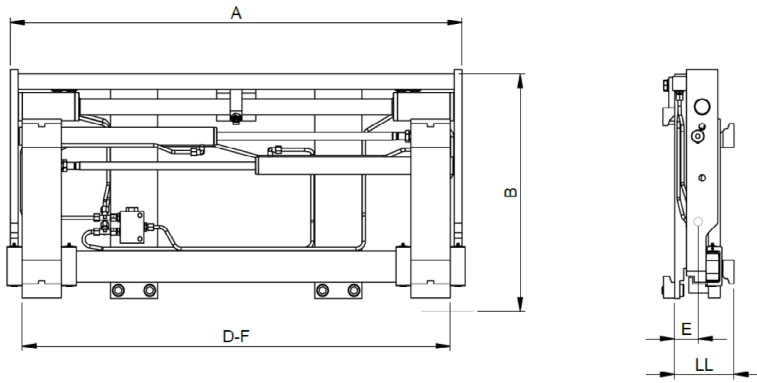


Model type	Capacity / Load Centre Q / LC kg / mm	Frame Width A mm	Opening Range D-F mm	Fork Carriers ISO 2328	Centre of Gravity E [c.] mm	Height B mm	Weight kg	Effective Thickness LL mm	Mounting Class ISO 2328
HEC-20									
HEC-20/100	2000/500	1000	330-940	2A/B	64	595	146	151	2A/B
HEC-20/105		1050	330-990				149		
HEC-20/110		1100	330-1040				152		
HEC-20/115		1150	330-1090				155		
HEC-20/120		1200	330-1140				158		
HEC-25									
HEC-25/110	2500/500	1100	330-1040	2A/B	64	605	176	151	2A/B
HEC-25/115		1150	330-1090				180		
HEC-25/120		1200	330-1140				184		
HEC-30									
HEC-30/110	3000/500	1100	370-1030	3A/B	75	640	235	176	3A/B
HEC-30/115		1150	370-1080				240		
HEC-30/120		1200	370-1130				245		
HEC-30/125		1250	370-1180				250		
HEC-30/130		1300	370-1230				255		
HEC-35									
HEC-35/110	3500/500	1100	380-1030	3A/B	75	640	235	176	3A/B
HEC-35/115		1150	380-1180				240		
HEC-35/120		1200	380-1130				245		
HEC-35/125		1250	380-1180				250		
HEC-35/130		1300	380-1230				255		
HEC-35/140		1400	380-1330				265		
HEC-40									
HEC-40/120	4000/500	1200	380-1130	3A/B	75	650	245	176	3A/B
HEC-40/130		1300	380-1230				255		
HEC-40/140		1400	380-1330				265		
HEC-40/145		1450	380-1380				270		
HEC-40/150		1500	380-1430				275		
HEC-40/160		1600	380-1530				285		
HEC-50									
HEC-50/120	5000/500	1200	450-1100	3A/B	75	790	380	200	3A/B
HEC-50/130		1300	450-1200				400		
HEC-50/140		1400	450-1300				420		
HEC-50/145		1450	450-1350				430		
HEC-50/150		1500	450-1400				440		
HEC-50/160		1600	450-1500				460		
HEC-50/170		1700	450-1600				480		
HEC-50/175		1750	450-1650				490		

HEC

HOOK-ON FORK POSITIONER WITH SIDESHIFT

Capacity: 1 000–8 000 kg
Width: 1000–2 400 mm

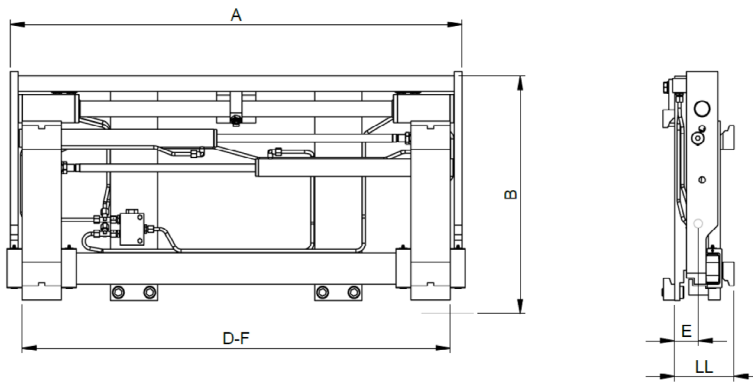


Model type	Capacity / Load Centre Q / LC kg / mm	Frame Width A mm	Opening Range D-F mm	Fork Carriers ISO 2328	Centre of Gravity E [c.] mm	Height B mm	Weight kg	Effective Thickness LL mm	Mounting Class ISO 2328
HEC-50									
HEC50/180	5000/500	1800	450-1700	3A/B	87	790	500	200	3A/B
HEC50/190		1900	450-1800				520		
HEC50/200		2000	450-1900				540		
HEC-50E									
HEC50E/140	5000/500	1400	450-1300	3A/B, 4A/B	90	849	420	210	3A/B, 4A/B
HEC50E/145		1450	450-1350				430		
HEC50E/150		1500	450-1400				440		
HEC50E/160		1600	450-1500				460		
HEC50E/170		1700	450-1600				480		
HEC50E/175		1750	450-1650				490		
HEC50E/180		1800	450-1700				500		
HEC50E/190		1900	450-1800				520		
HEC50E/200		2000	450-1900				540		
HEC-60									
HEC60/140	6000/600	1400	450-1300	4A/B	90	849	430	210	4A/B
HEC60/145		1450	450-1350				440		
HEC60/150		1500	450-1400				450		
HEC60/160		1600	450-1500				470		
HEC60/170		1700	450-1600				490		
HEC60/180		1800	450-1700				510		
HEC60/190		1900	450-1800				530		
HEC60/200		2000	450-1900				550		
HEC-70									
HEC70/180	7000/600	1800	450-1640	4A/B	105	950	820	245	4A/B
HEC70/190		1900	450-1740				845		
HEC70/200		2000	450-1840				870		
HEC70/210		2100	450-1940				895		
HEC70/220		2200	450-2040				920		
HEC70/230		2300	450-2140				955		
HEC70/240		2400	450-2240				970		
HEC-80									
HEC80/180	8000/600	1800	450-1640	4A/B	105	950	820	245	4A/B
HEC80/190		1900	450-1740				845		
HEC80/200		2000	450-1840				870		
HEC80/210		2100	450-1940				895		
HEC80/220		2200	450-2040				920		
HEC80/230		2300	450-2140				955		
HEC80/240		2400	450-2240				970		

HEC

HOOK-ON FORK POSITIONER WITH SIDESHIFT

Capacity: 1 000–8 000 kg
Width: 1000–2 400 mm



Model type	Capacity / Load Centre Q / LC kg / mm	Frame Width A mm	Opening Range D-F mm	Fork Carriers ISO 2328	Centre of Gravity E [c.] mm	Height B mm	Weight kg	Effective Thickness LL mm	Mounting Class ISO 2328
HEC8E/180	8000/900	1800	450-1640	4A/B	105	950	820	245	4A/B
HEC8E/190		1900	450-1740				845		
HEC8E/200		2000	450-1840				870		
HEC8E/210		2100	450-1940				895		
HEC8E/220		2200	450-2040				920		
HEC8E/230		2300	450-2140				955		
HEC8E/240		2400	450-2240				970		

NOTES

Use the HEC20-model also for lower capacity e.g., 1.0, 1.6 or 1.8 tons.

Alternative use: HEC30: 2500kg/LC 600mm, HEC35: 3000kg/LC 600mm, HEC40: 3500kg/LC 600mm, HEC50: 4000kg/LC 600mm, HEC50E: 4500kg/LC 600mm.

OPTIONS

Other frame widths are offered on request.